

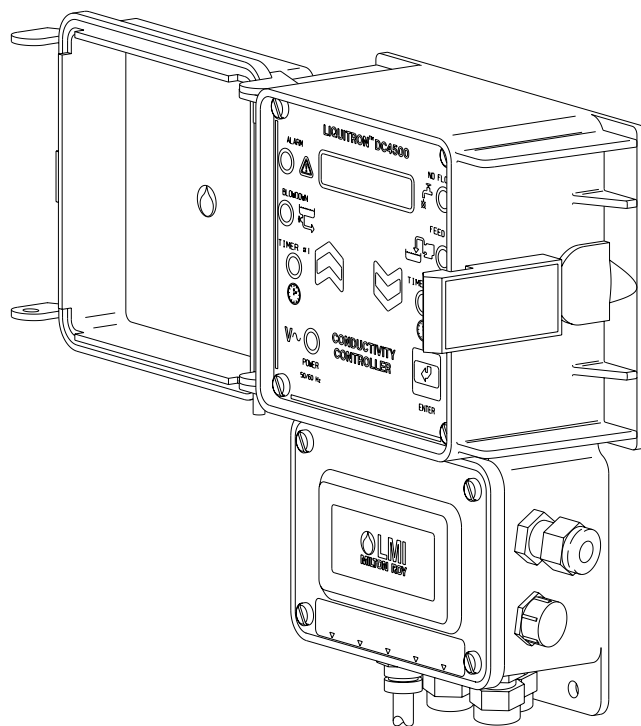
# Data Sheet

## Liquitron™ DC4500 Series Conductivity Controller

### Cooling Tower Controller Bleed & Feed with Dual Biocide Additions

The *Liquitron DC4500 Series Conductivity Controller* is a microprocessor based control system that will operate in a variety of water treatment applications. The DC4500 provides a set point and relay for conductivity control, and a variety of timer functions to control chemical addition, including dual biocides. Pumps may be controlled in either **ON/OFF** or **External Trigger** mode.

Programming this controller is simple and is accomplished using only three keys. The backlit LCD display and LEDs provide a visual indication of operating conditions and equipment status.



### Features

- 0-20,000  $\mu$ S Control Range
- Display units in  $\mu$ S or in PPM/TDS
- Temperature Display in  $^{\circ}$ C or  $^{\circ}$ F
- High and Low Alarm with Output Relay
- Water Meter Totalizer (Gallons)
- 4-20 mA Recorder Output (Standard)
- Flow Switch Compatible (N.O. or N.C.)
- Backlit LCD Alpha / Numeric Display
- Timer or Conductivity Based Prebleed
- Bleed Output Relay
- Inhibitor Chemical Pump Output (ON / OFF or External Trigger)
- Dual Biocide Pump Output (ON / OFF or External Trigger)
- UL, CUL, CE - Certified



CALL 1-800-577-8111 FOR SALES AND SUPPORT



