

# Data Sheet

## Series E

### Electronic Metering Pumps

### Configuration Data

Model **E74** **1** - **30**

#### Control & Output Code

**Instrument Responsive/Manual Control**  
 Explosion proof electromagnetic metering pumps. UL and CUL Listed, meets or exceeds all standards for Division 1 and 2, Class I, Groups C and D; Class II, Groups E, F, and G. Manual adjustment or switch conversion to external control for automatic systems.

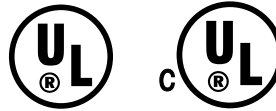
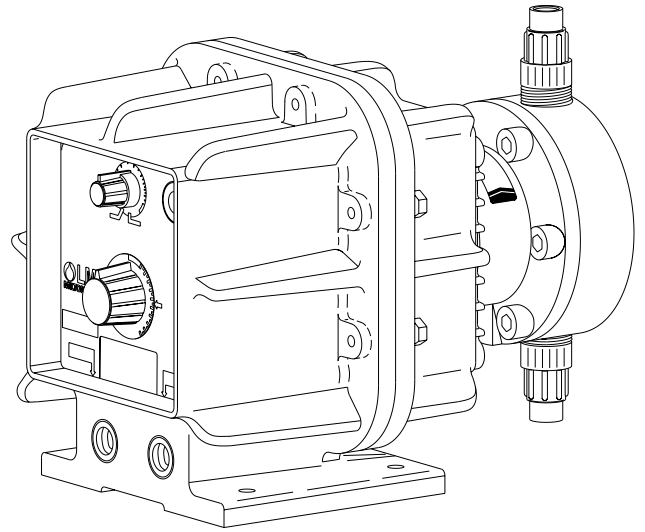
E70\* --- 1.3 GPH (4.9 l/h) .... 300 psi (20.7 Bar)  
 E71\* --- 2.5 GPH (9.5 l/h) .... 150 psi (10.3 Bar)  
 E72\* --- 4.0 GPH (15.1 l/h) .... 100 psi (6.9 Bar)  
 E73\* --- 8.0 GPH (30 l/h) ..... 60 psi (4.1 Bar)  
 E74\* ---20.0 GPH (76 l/h) ..... 25 psi (1.7 Bar)

#### Voltage Code

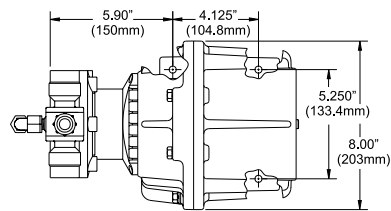
1 ----- 120 VAC Hardwired  
 2 ----- 240 VAC Hardwired

#### Liquid End

See next page for complete liquid end specifications & selection.



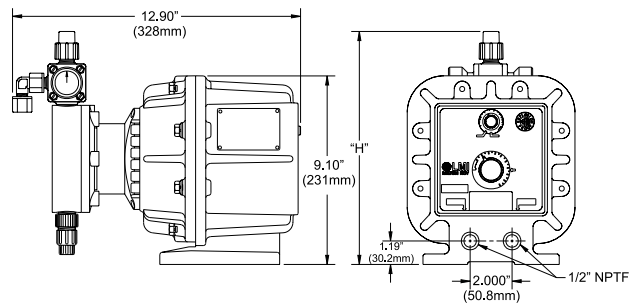
### Dimensions



\* Dimensions shown are maximums for largest available Liquid End. Dimensions will vary depending on Liquid End selected.

### Specifications

Series	Strokes per Minute (Adjustable)		Stroke Length (Adjustable) Recommended Minimum	Average Input Power @ Max Speed	Shipping Weight
	Min	Max			
E70*					
E71*					
E72*	5	100	10%	44 watts	(41 lbs) 18.6 kg
E73*					
E74*					



CALL 1-800-577-8111 FOR SALES AND SUPPORT



## Configuration Data and Materials of Construction

Drive Assembly	Liquid End No.	Size Code	Materials of Construction				Accessory	Tubing & Connections Discharge/Suction
			Head & Fittings	Balls	Liquifram™	Seal Ring		
E70 <span style="background-color: yellow;">■</span> -	297	0.9	316 S.S.	316 S.S.	Fluorofilm™	316 S.S.		Pipe 1/4" NPT M
	94	0.9	PVC	Ceramic	Fluorofilm™	PTFE		Pipe 1/4" NPT M
	94S	0.9	PVC	Ceramic	Fluorofilm™	PTFE	4FV	Pipe 1/4" NPT M

E71 <span style="background-color: yellow;">■</span> -	361TI	1.8	PGC™/ PGC™	Ceramic	Fluorofilm™	PGC™/ Polyprel®	3FV	PE .375" O.D.
	361SI	1.8	PGC™/ PGC™	Ceramic	Fluorofilm™	PGC™/ Polyprel®	4FV	PE .375" O.D.
E72 <span style="background-color: yellow;">■</span> -	362TI	1.8	PVDF / PVDF	Ceramic	Fluorofilm™	PVDF / Polyprel®	3FV	PE .375" O.D.
	362SI	1.8	PVDF / PVDF	Ceramic	Fluorofilm™	PVDF / Polyprel®	4FV	PE .375" O.D.
	363TI	1.8	PVDF / PVDF	Ceramic	Fluorofilm™	PVDF / PTFE	3FV	PE .375" O.D.
	363SI	1.8	PVDF / PVDF	Ceramic	Fluorofilm™	PVDF / PTFE	4FV	PE .375" O.D.
	360TI	1.8	Acrylic / PGC™	Ceramic	Fluorofilm™	PGC™/ Polyprel®	3FV	PE .375" O.D.
	360SI	1.8	Acrylic / PGC™	Ceramic	Fluorofilm™	PGC™/ Polyprel®	4FV	PE .375" O.D.
	277	1.8	316 S.S.	316 S.S.	Fluorofilm™	316 S.S.		Pipe 1/4" NPT M
	71FS	1.8	Acrylic / PVDF	PTFE	Hypalon®	Hypalon®	4FV	PE .5" O.D.Vinyl .5" O.D.
	72S	1.8	PVC	Ceramic	Fluorofilm™	PTFE	4FV	PE .5" O.D.
	72T	1.8	PVC	Ceramic	Fluorofilm™	PTFE		PE .5" O.D.
	74	1.8	PVC	Ceramic	Fluorofilm™	PTFE		Pipe 1/4" NPT M
	74S	1.8	PVC	Ceramic	Fluorofilm™	PTFE	4FV	Pipe 1/4" NPT M
	75HV	1.8	Polypropylene	316 S.S.	Fluorofilm™	PTFE		PE .5" O.D.Vinyl .938" O.D.
	75S	1.8	Polypropylene	Ceramic	Fluorofilm™	PTFE	4FV	PE .5" O.D.
	75T	1.8	Polypropylene	Ceramic	Fluorofilm™	PTFE		PE .5" O.D.
76HV	1.8	Acrylic / PP	316 S.S.	Fluorofilm™	Hypalon®		PE .5" O.D.Vinyl .938" O.D.	
79	1.8	UHMW PE	Ceramic	Hypalon®	Hypalon®		PE .5" O.D.Vinyl .5" O.D.	

E73 <span style="background-color: yellow;">■</span> -	311TI	3.0	PGC™/ PGC™	Ceramic	Fluorofilm™	PGC™ / Polyprel®	3FV	PE .375" O.D.
	311SI	3.0	PGC™/ PGC™	Ceramic	Fluorofilm™	PGC™ / Polyprel®	4FV	PE .375" O.D.
	312TI	3.0	PVDF / PVDF	Ceramic	Fluorofilm™	PVDF / Polyprel®	3FV	PE .375" O.D.
	312SI	3.0	PVDF / PVDF	Ceramic	Fluorofilm™	PVDF / Polyprel®	4FV	PE .375" O.D.
	313TI	3.0	PVDF / PVDF	Ceramic	Fluorofilm™	PVDF / PTFE	3FV	PE .375" O.D.
	313SI	3.0	PVDF / PVDF	Ceramic	Fluorofilm™	PVDF / PTFE	4FV	PE .375" O.D.
	310TI	3.0	Acrylic / PGC™	Ceramic	Fluorofilm™	PGC™/ Polyprel®	3FV	PE .375" O.D.
	310SI	3.0	Acrylic / PGC™	Ceramic	Fluorofilm™	PGC™/ Polyprel®	4FV	PE .375" O.D.
	20HV	3.0	Acrylic / PP	316 S.S.	Fluorofilm™	Hypalon®		PE .5" O.D.Vinyl .938" O.D.
	20	3.0	Acrylic / PVC	Ceramic	Fluorofilm™	Hypalon®		PE .5" O.D. Vinyl .5" O.D.
	20S	3.0	Acrylic / PVC	Ceramic	Fluorofilm™	Hypalon®	4FV	PE .5" O.D. Vinyl .5" O.D.
	24	3.0	PVC	Ceramic	Fluorofilm™	PTFE		Pipe 1/2" NPT M
	25HV	3.0	Polypropylene	316 S.S.	Fluorofilm™	PTFE		PE .5" O.D.Vinyl .938" O.D.
	25P	3.0	Polypropylene	Ceramic	Fluorofilm™	PTFE		Pipe 1/2" NPT M
	25T	3.0	Polypropylene	Ceramic	Fluorofilm™	PTFE		PE .5" O.D.
	26	3.0	PVC	Ceramic	Fluorofilm™	Viton®		PE .5" O.D.
	26S	3.0	PVC	Ceramic	Fluorofilm™	Viton®	4FV	PE .5" O.D.
	27	3.0	316 S.S.	316 S.S.	Fluorofilm™	PTFE		Pipe 1/2" NPT M
	29	3.0	UHMW PE	Ceramic	Fluorofilm™	Hypalon®		PE .5" O.D.

E74 <span style="background-color: yellow;">■</span> -	30	6.0	Acrylic / PVC	Ceramic	Fluorofilm™	PTFE		PE .5" O.D. Vinyl .5" O.D.
	34	6.0	PVC	Ceramic	Fluorofilm™	PTFE		Pipe 1/2" NPT M
	35P	6.0	Polypropylene	Ceramic	Fluorofilm™	PTFE		Pipe 1/2" NPT M
	35T	6.0	Polypropylene	Ceramic	Fluorofilm™	PTFE		PE .5" O.D.
	36	6.0	PVC	Ceramic	Fluorofilm™	PTFE		PE .5" O.D.
	37	6.0	316 S.S.	316 S.S.	Fluorofilm™	PTFE		Pipe 1/2" NPT M

■ See front page for voltage code specifications.

**3FV** indicates that the pump is equipped with an LMI Three Function Valve (pressure relief, priming aid, line drain).

Fluorofilm™ is a copolymer of PTFE and PFA.  
Polyprel® is an elastomeric PTFE copolymer.

**4FV** indicates that the pump is equipped with an LMI Four Function Valve. This diaphragm type anti-syphon/pressure relief valve is installed on the pump head. It provides anti-syphon protection and aids in priming, even under pressure.

Polyprel is a registered trademark of Liquid Metronics, Incorporated. Fluorofilm, Liquifram, PGC are trademarks of Liquid Metronics, Incorporated. Hypalon, Viton are registered trademarks of E. I. du Pont de Nemours & Co., Inc.

## Output Information

Series	Gallons per Hour		Liters per Hour		mL/cc per Minute		mL/cc per Stroke		Maximum Injection Pressure
	Min	Max	Min	Max	Min	Max	Min	Max	
E70*	0.007	1.3	0.025	4.9	0.41	82	0.08	0.82	300 psi (20.7 Bar)
E71*	0.013	2.5	0.048	9.5	0.79	158	0.16	1.58	150 psi (10.3 Bar)
E72*	0.020	4.0	0.076	15.1	1.26	252	0.25	2.52	100 psi (6.9 Bar)
E73*	0.040	8.0	0.151	30.0	2.52	505	0.50	5.05	60 psi (4.1 Bar)
E74*	0.100	20.0	0.380	76.0	6.33	1267	1.27	12.67	25 psi (1.7 Bar)

\* Minimum output can be reduced to zero (0) when in external mode.